

Installation instructions for KZNG5-01876-00  
Under Run Protective Shield Engine Bay and Transmission Case

## TOYOTA RAV4



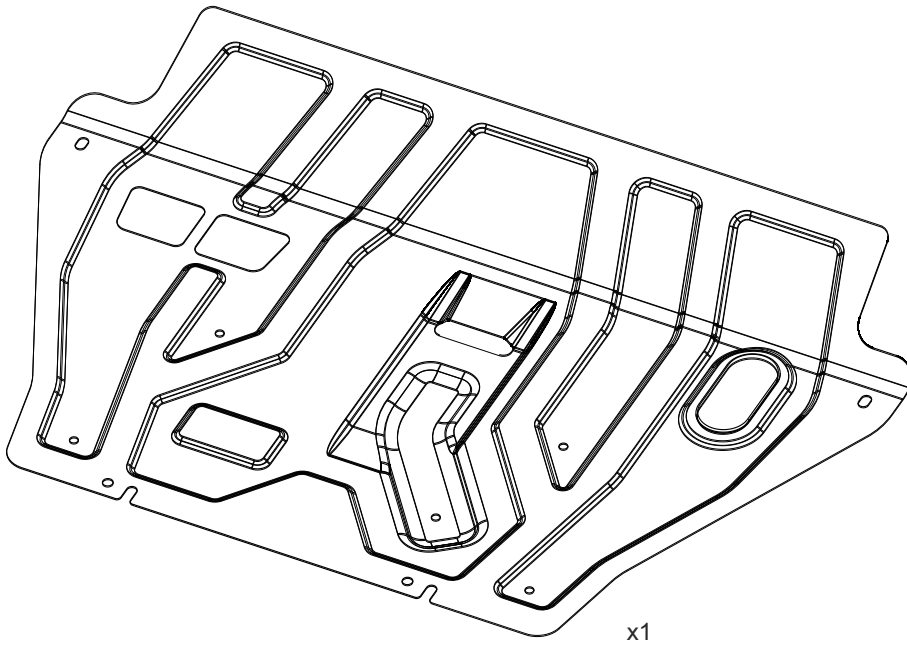
## LEXUS NX200



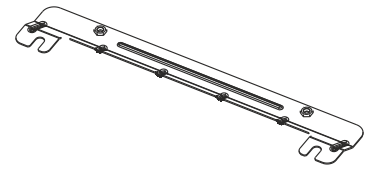
| Model Year   | RAV4 - 2006  | RAV4 - 2012 - 2015 -   | NX200 - 2014 - |
|--|--|--|----------------|
| Applicability:   | ZSA35L-BWFXPW; ZSA30L-BWFXPW<br>ZSA30L-BWFGPW; ZSA30L-BWXXPW<br>ZSA30L-BWXGPW; ACA33L-ANPGKW | ZSA44L-ANFXK; ZSA44L-ANXXK<br>ZSA44L-ANXGK; ZSA44L-ANYXKX<br>ZSA44L-ANYMKX; ALA49L-ANTGXX<br>ASA44L-ANTGKX; ASA44L-ANTMKX<br>ALA49L-ANTMXX; ZSA42L-ANYXKX<br>ZSA44L-ANFMKX; ZSA42L-ANYMKX<br>ZSA42L-ANFXKX | ZGZ15L-AWXLPW  |
| Part Number  |  |  | KZNG5-01876-00 |
|  Weight            |  |  | 9,4 kg         |
|  Installation Time |  |  | 30 min         |
| Manual reference number  |  |  | AIM 002 082-0  |

KZNG5-01876-00

**A**



**F**



KZNG5-08760-60

**B1**



x2 M10x20

**B2**



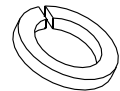
x2 M10x100

**C1**



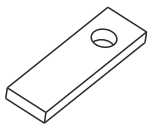
x4 Ø 10

**C2**



x4 Ø 10G

**D**

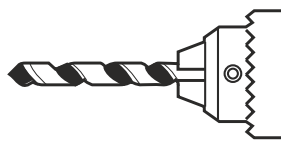
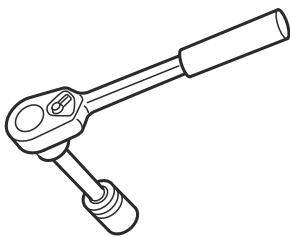


x2

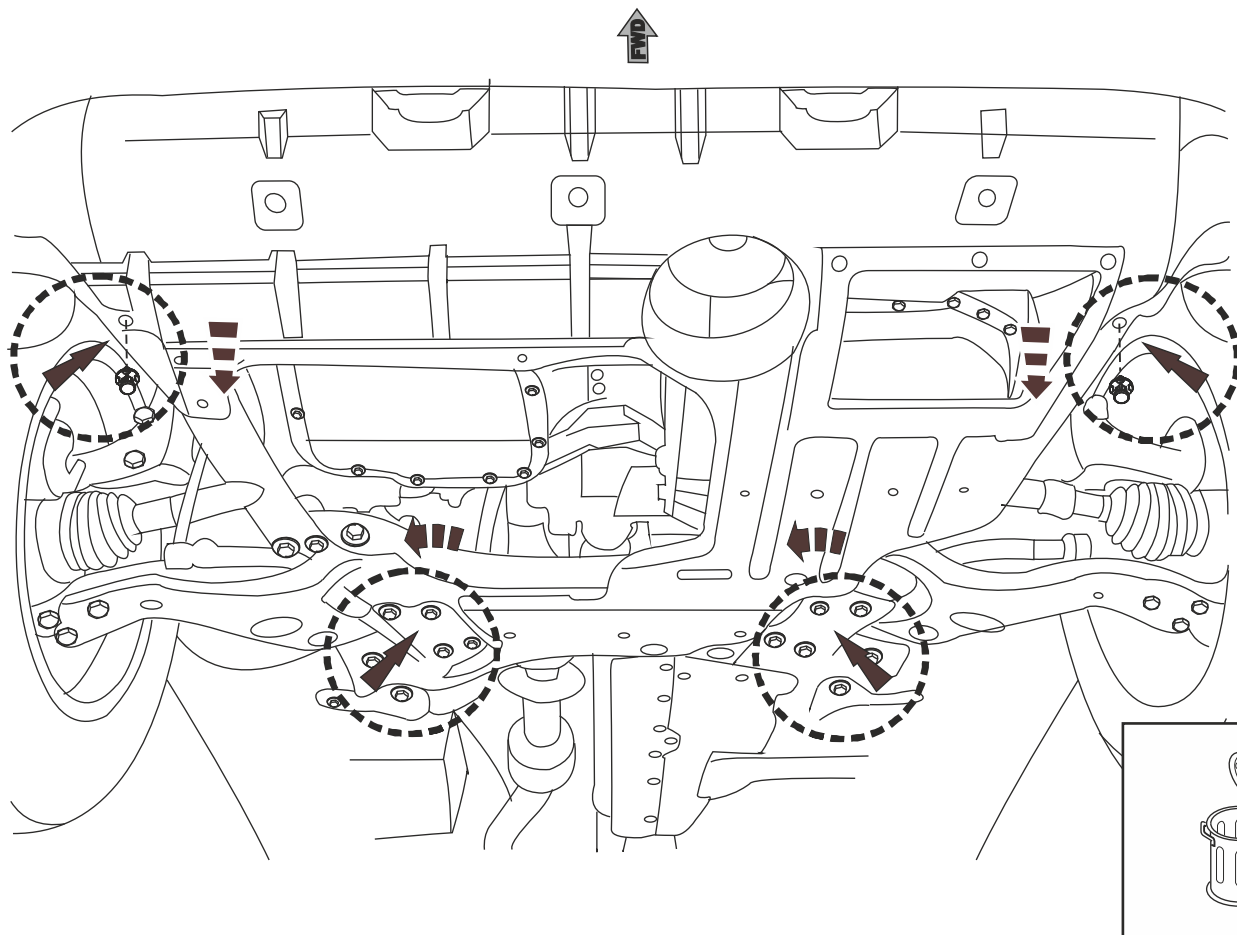
**E**



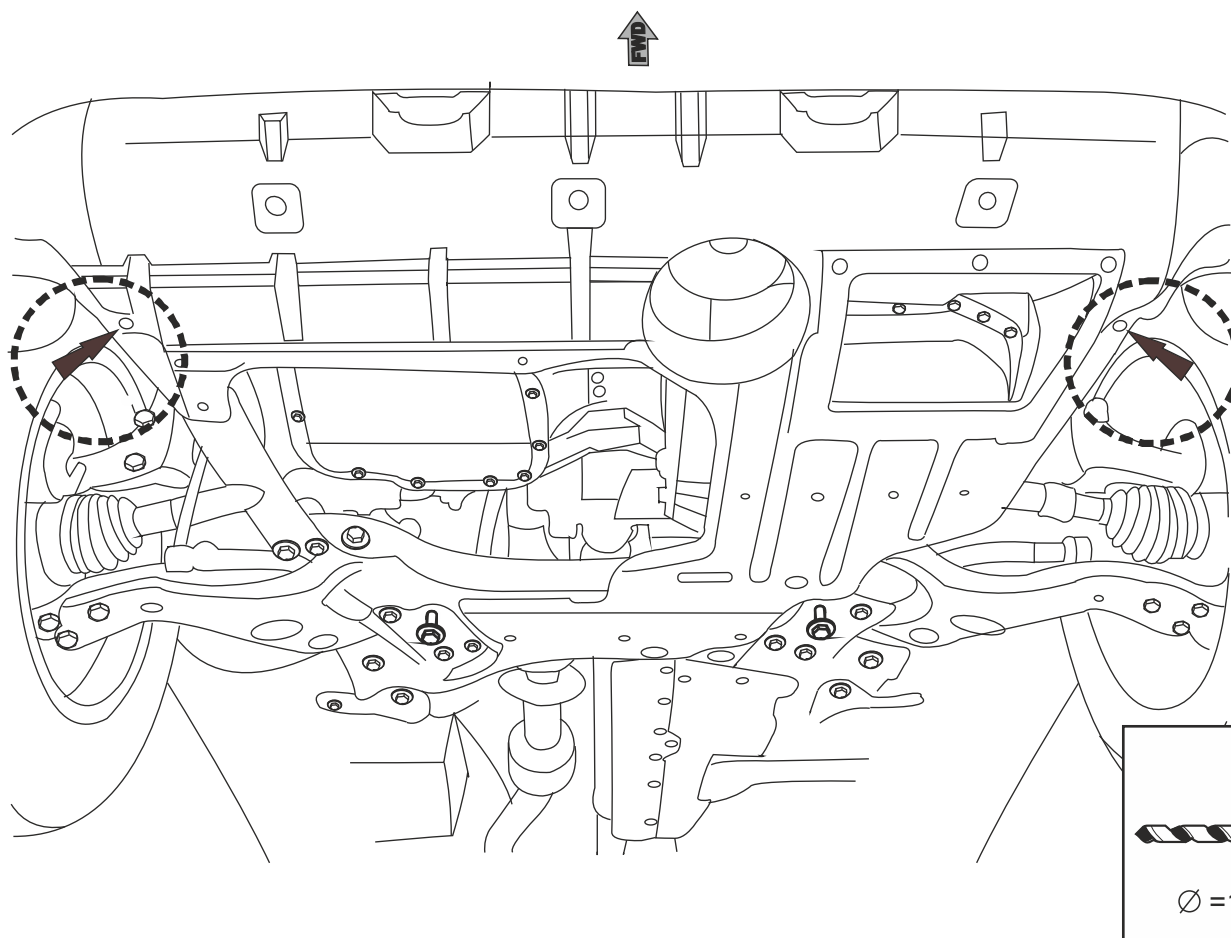
x2



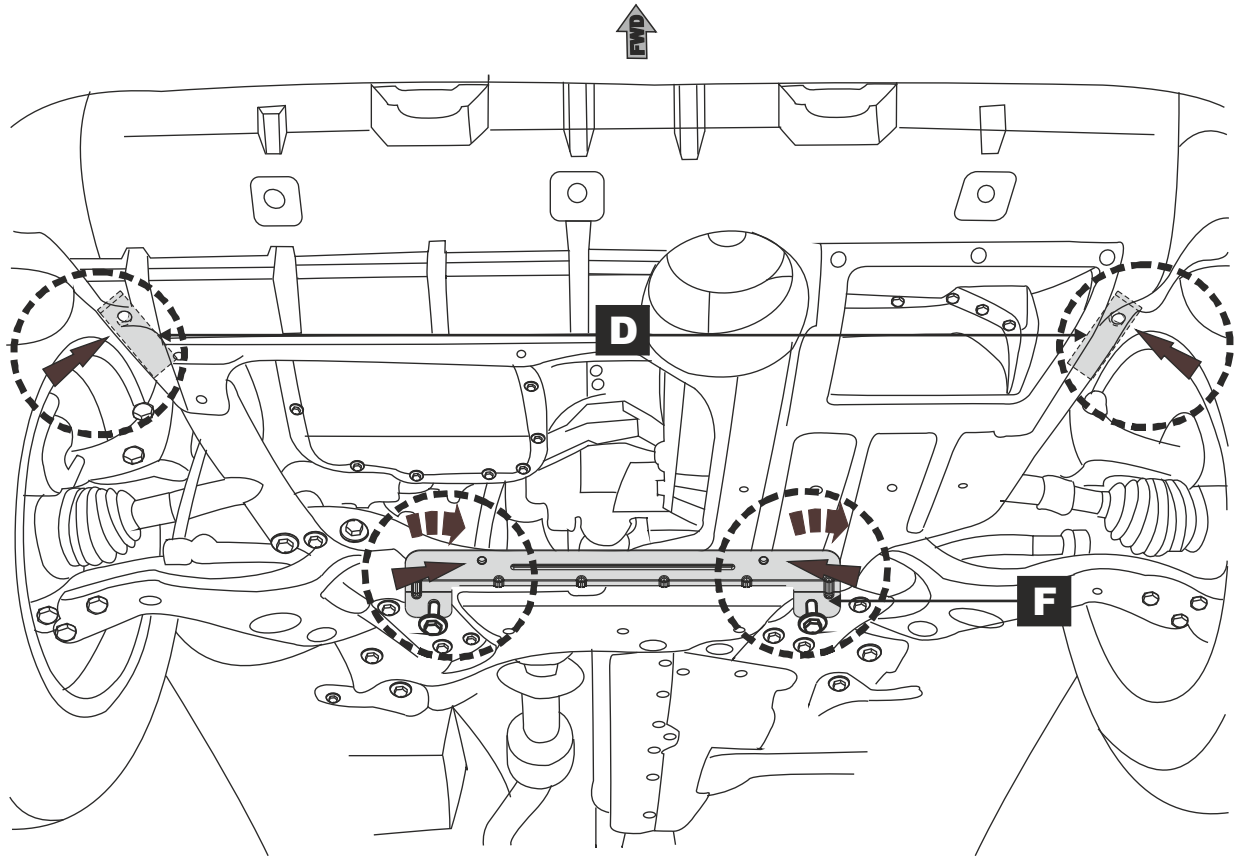
1



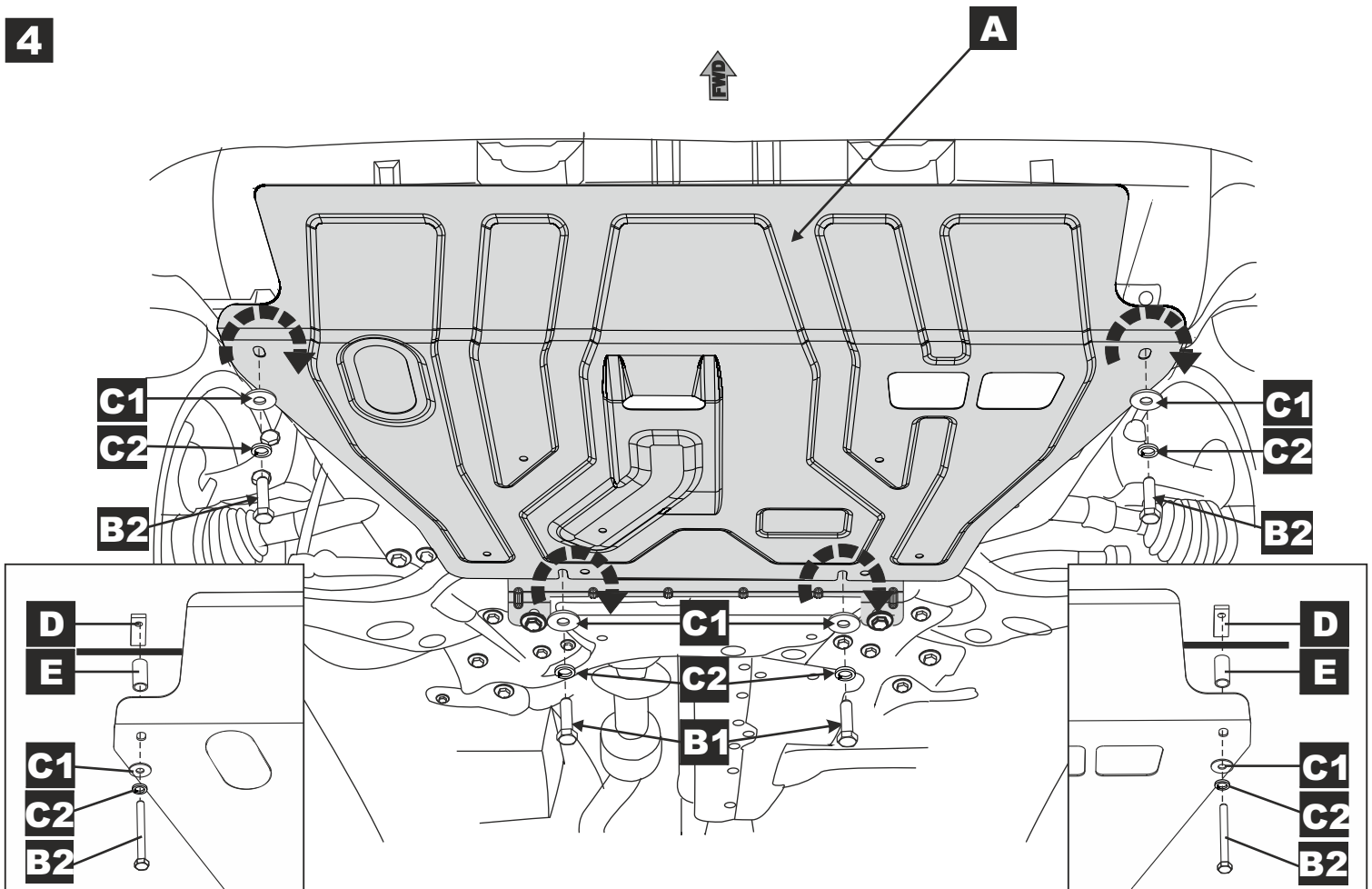
2



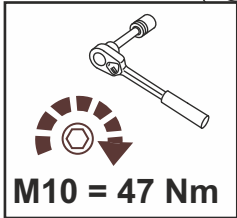
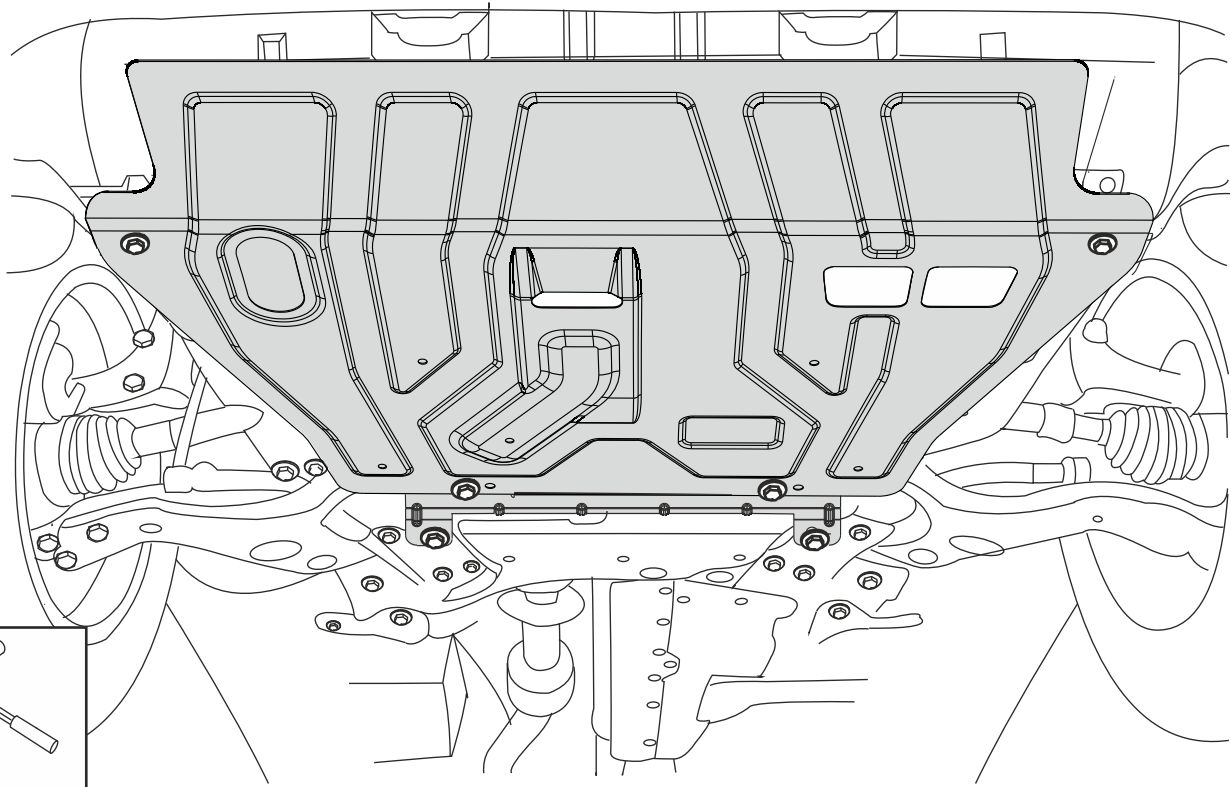
**3**



**4**



5



M10 = 47 Nm